

## TriStile O

### Tripod turnstile for Internal Installation

#### Technical Specification

**Drive:** Hand operated

**Orientation:** Pass Left or Pass Right

**Materials:**

Casework:	304 Grade grained Stainless Steel Panels (EN 10088-2 Grade 1G/2G) fixed to a Black Epoxy Powder Coated mild steel frame.
Casework Lid:	Material Option, i.e. Stainless Steel Wood, Marble, Granite etc.
Tripod Hub:	Cast aluminum with painted grey finish
Tripod Arms:	38m dia. 480mm 316 Grade Satin Polished Stainless Steel (EN 10088-2 Grade 1K/2K) with welded end caps



**Function:** Passage in both directions, electronically controllable

**Mechanism:** Control of the Tripod operation is achieved by an electro-mechanical head mechanism located within the top section of the turnstile casework. It is silent in rotation and comprises the following standard features: -

- A positive lock action that prevents two passages at one time
- A self centering mechanism to ensure complete rotation of the mechanism to the home position
- A hydraulic damper to ensure smooth operation
- Anti backup device to prevent reverse rotation once the mechanism has moved 60° from home

**Operating Modes:** The mechanism can be configured to operate in two standard modes.

- Normally Closed – The mechanism is locked until a valid authorisation signal is received.
- Normally Open – The mechanism is permanently unlocked and will only lock if passage is attempted without a valid authorised signal. In this mode the MTBF are significantly increased from 1.5 to 2.5 million cycles, it reduces power consumption and increases passage throughput speeds.

**Power Failure:** In the event of an emergency or isolation of the power supply, the tripod can be configured to fail-safe, i.e. rotates freely, or fail-lock, i.e. locks in the home position. Either option is available in both or one direction. As standard tripods are configured bi-directional fail-safe unless specifically requested otherwise.

Fire Alarm – Input facility available for 0V contact supplied by others to effect the fail state.

Note - Mechanism fail state will be the same as power failure choice

**Interface:** The mechanism is controlled via the LCM02 microprocessor control logic with the following standard features: -

- One input for opening/locking the mechanism in each direction
- Two protected outputs for control of the opening/locking solenoids
- Four protected outputs for piloting way mode indicators
- Two 0V output relays indicating availability of use in either direction
- Two 0V outputs to count passage in either direction

Unit has an adjustable time out facility if required i.e. Go signal will be cancelled if passage through turnstile is not completed within pre-set time. The standard default is 8 seconds adjustable via parameter change. .

The logic is protected against short circuits, overloads, and polarity inversion. Additional detailed information is available upon request.

#### Product Description

The elegant design of the TriStile O will enhance any environment with its versatility of lid material choice.

#### Users include

- Government
- Retail
- Finance
- Telecommunications
- Information Technology
- Banking
- Publishing
- Leisure
- Petrochemical
- Education

**Regulate**



**Power Supply:** 115/230V AC 50/60Hz

**Power Rating:** N/C - stand by or passage use 50VA, alarm condition 50VA  
(Per Walkway) N/O - stand by or passage use 5VA, alarm condition 50VA

**Logic Voltage:** 24V DC

**Delivery Details:** The TriStile O range is delivered fully assembled and may require lifting gear for off loading.

Weight SlimStile OE 110 - 140Kg (dependant upon lid material specification)

## Models Available

### TriStile Electrical Tripod Turnstile

- Model OE Single Walkway – electrically controlled in one or both directions
- Model ODE Double Walkway – each side electrically controlled in one or both directions.
- Model ODUM Dummy casework to house card reader or create walkway

## Standard Accessories and Optional Extras

**Alternative Materials, Finishes and Custom Design** (Please contact Gunnebo Mayor for suitability and costs)

- Lid material can be supplied to suit customer requirements
- Casework available in other materials

**Cardreader Mounting** (Please refer to Gunnebo Mayor for feasibility)

- Integration of customer supplied readers into the lid
- Cardreader Pedestals

### Additional Interface

- Serial port RS485

### Status Lights

- 50mm dia. LED display Status Lights flush mounted within the turnstile lid top face. The Green badge symbol is continuously illuminated indicating passage is available. Upon authorisation a Green arrow will illuminate in the direction of passage authorisation whilst in the opposite direction a Red cross symbol will illuminate to indicate the unit is not available for use or is all ready in use.

### Push Button Control

- Simple remote Push Button Console
- Remote console to specific requirements
- Single pushbutton casework or lid mounted

### Usage Counters

- Electro-mechanical, re-settable or non-re-settable counters inside tripod OR visible through cutout in casework

### Drop Arm

- In the event of an emergency or isolation of the power supply the horizontal tripod arm will drop automatically to create a clear walkway for escape. Input facility is available for potential free contact supplied by others to effect the fail state. As standard the drop arm is supplied as a bi directional fail lock mechanism.

### Mechanical Operation

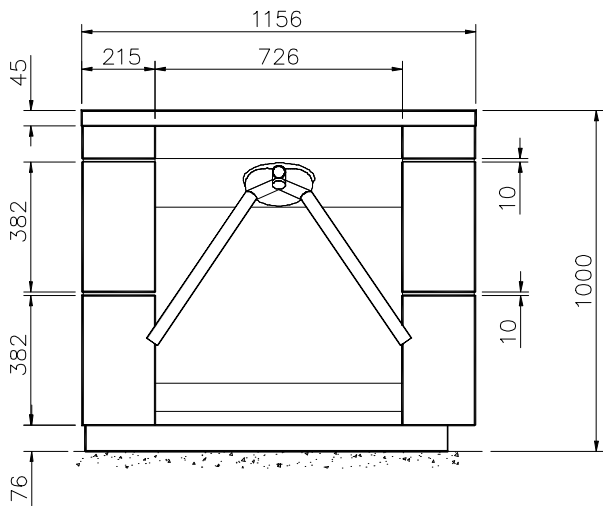
- Non-electrical unit allowing free movement in one direction – reverse direction locked

## Installation Examples

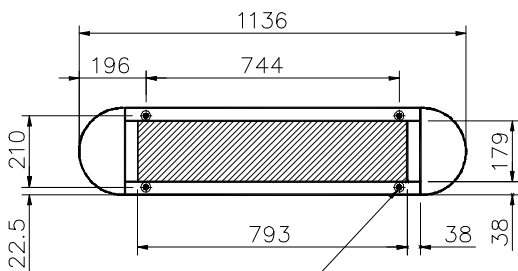
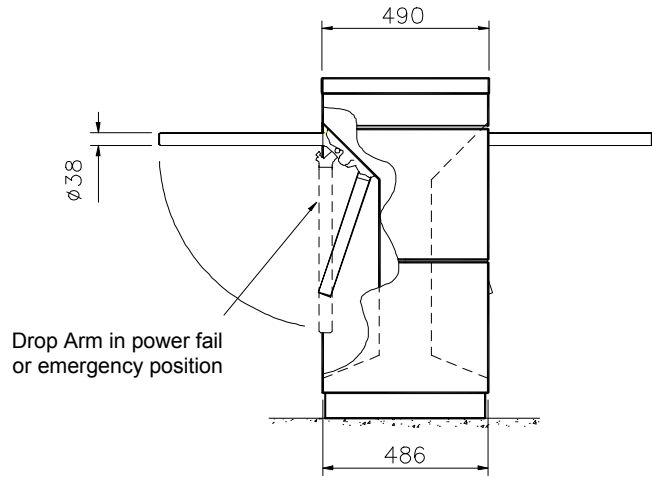
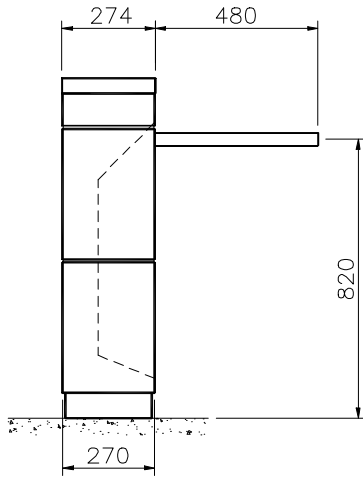
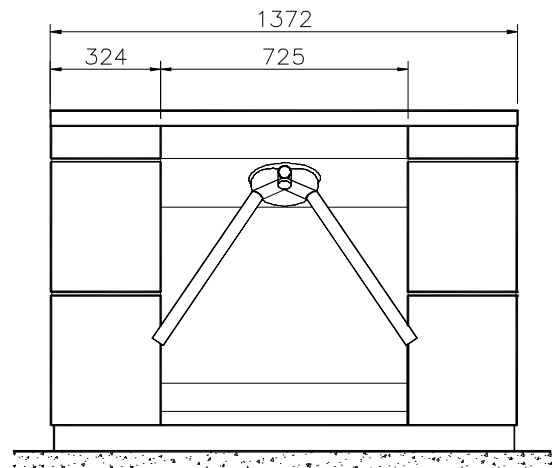


Site Preparation TriStile O Range

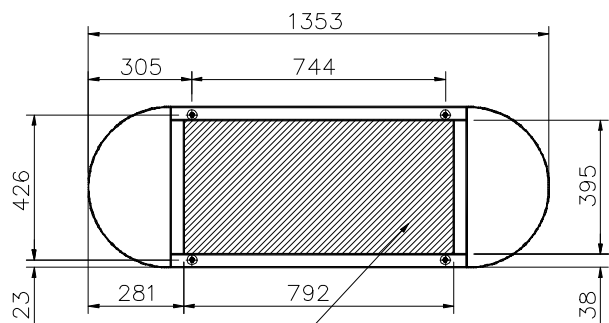
TriStile OE



TriStile ODE



Floor anchor position, drill 12mm dia x 100 deep min. (drilled during installation)



Conduits and cables to rise within shaded area

Concrete to BS 5328: 1997 specification, type ST5.  
 Base to be flat and level to +/-5mm over footprint area.  
 OE - 1200 x 500 x 150mm min  
 ODE - 1200 x 600 x 150mm min.

**IMPORTANT**

- Any horizontal pipe or conduit runs below the TriStile must be at least 140mm below FFL.

**Flow Rates**

Reader Device	Number per minute
Insertion type	20
Insertion type with PIN code keypad	10
Swipe type	30
Swipe type with PIN code keypad	12
Proximity 'Hands Free'	40

- Please note the figures are approximate and must be confirmed with Gunnebo Mayor Ltd. Figures quoted are for one person per complete passage per walkway and per minute. It is assumed the access control authorisation response is instantaneous. Flow rates will increase with multiple passage use.



**ENTRANCE CONTROL SOLUTIONS**

**United Kingdom**

Gunnebo Mayor Ltd. Bellbrook Business Park, Uckfield, East Sussex, TN22 1QQ.  
Tel +44 (0) 1825 761022 Fax +44 (0) 1825 763835

Gunnebo Mayor Ltd. Orient House, Newton Street, Hyde, Cheshire, SK14 4RX  
Tel +44 (0) 161 882 5900 Fax +44 (0) 161 882 5910

[www.gunnebomayor.com](http://www.gunnebomayor.com)

*Note: In pursuit of its policy of continuous refinement and improvement, Gunnebo Mayor Ltd. reserves the right to modify design and details.*

**A COMPANY WITHIN THE GUNNEBO GROUP** .....

**HEAD OFFICE SWEDEN – Gunnebo Entrance Control AB, SE-590 93, Gunnebo.**  
Tel +46 (0) 490 89000, Fax +46 (0) 490 23889

**DENMARK** Gunnebo Protection A/S  
Division Entrance Control  
Erhvervsparken 3, DK-4621 Gadstrup  
Tel +45 46 19 14 66  
Fax +45 46 19 14 55

**FRANCE** Gunnebo Entrance Control SARL  
Zone d'Activites Le Mandinet,  
20 Rue des Campanules  
F-77185, Lognes  
Tel +33 (0) 1 64 80 14 40  
Fax +33 (0) 1 64 80 14 39

**GERMANY** Gunnebo Entrance Control GmbH  
Diagonalstrasse 41, D-20537  
Hamburg  
Tel +49 (0) 40 47 11 30 0  
Fax +49 (0) 40 47 11 30 79

**HONG KONG** Gunnebo Entrance Control  
Room 2312, C.C. Wu Building,  
302-308 Hennessy Road, Wanchai.  
Tel +852 2882 8337  
Fax +852 2523 7880

**ITALY** Gunnebo Italdis SpA  
Via A Volta 15 - IT 38015  
Lavis (TN)  
Tel +39 0461 248 900  
Fax +39 0461 248 999

**NORWAY** Gunnebo Troax A/S  
Division Entrance Control  
Postboks 179, Kalbakken N-0903, Oslo  
Tel +47 22 80 42 00  
Fax +47 22 80 42 01

**SPAIN** Gunnebo Entrance Control  
BBC, Comte d'Urgel 143, lola 08036,  
Barcelona  
Tel +34 93 452 59 56  
Fax +34 93 451 56 53

**SWEDEN** Gunnebo Entrance Control  
Box 500, Kumla Gardsvag 33F, 145 63  
Norsborg  
Tel +46 (0)8 53 17 15 75  
Fax +46 (0) 8 53 18 85 39

**UNITED KINGDOM** Gunnebo Mayor Ltd  
Bellbrook Business Park, Uckfield,  
East Sussex, TN22 1QQ  
Tel +44 (0) 1825 761022  
Fax +44 (0) 1825 763835

**USA** Gunnebo Omega Inc  
5056 Commercial Circle, Suite E,  
Concord, California, CA 94520  
Tel +01 925 609 6339  
Fax +01 925 603 0810

**TriStile R**  
**Tripod turnstile for Internal Installation**

**Technical Specification**

- Drive:** Hand operated
- Orientation:** Pass Left or Pass Right
- Materials:**
- Casework: 304 Grade grained Stainless Steel (EN 10088-2 Grade 1G/2G)
  - Casework Lid: 304 Grade grained Stainless Steel (EN 10088-2 Grade 1G/2G)
  - Tripod Hub: Cast aluminum with painted grey finish
  - Tripod Arms: 38m dia. 480mm 316 Grade Satin Polished Stainless Steel (EN 10088-2 Grade 1K/2K) with welded end caps



**Function:** Passage in both directions, electronically controllable

**Mechanism:** Control of the Tripod operation is achieved by an electro-mechanical head mechanism located within the top section of the turnstile casework. It is silent in rotation and comprises the following standard features: -

- A positive lock action that prevents two passages at one time
- A self centering mechanism to ensure complete rotation of the mechanism to the home position
- A hydraulic damper to ensure smooth operation
- Anti backup device to prevent reverse rotation once the mechanism has moved 60° from home

**Operating Modes:** The mechanism can be configured to operate in two standard modes.

- Normally Closed – The mechanism is locked until a valid authorisation signal is received.
- Normally Open – The mechanism is permanently unlocked and will only lock if passage is attempted without a valid authorised signal. In this mode the MTBF are significantly increased from 1.5 to 2.5 million cycles, it reduces power consumption and increases passage throughput speeds.

**Power Failure:** In the event of an emergency or isolation of the power supply, the tripod can be configured to fail-safe, i.e. rotates freely, or fail-lock, i.e. locks in the home position. Either option is available in both or one direction. As standard tripods are configured bi-directional fail-safe unless specifically requested otherwise.

Fire Alarm – Input facility available for 0V contact supplied by others to effect the fail state.

Note - Mechanism fail state will be the same as power failure choice

**Interface:** The mechanism is controlled via the LCM02 microprocessor control logic with the following standard features: -

- One input for opening/locking the mechanism in each direction
- Two protected outputs for control of the opening/locking solenoids
- Four protected outputs for piloting way mode indicators
- Two 0V output relays indicating availability of use in either direction
- Two 0V outputs to count passage in either direction

Unit has an adjustable time out facility if required i.e. Go signal will be cancelled if passage through turnstile is not completed within pre-set time. The standard default is 8 seconds adjustable via parameter change.

The logic is protected against short circuits, overloads, and polarity inversion. Additional detailed information is available upon request.

**Product Description**

TriStile R is a well proven product with rounded stainless steel casework offering smooth, silent operation.

Modern technology and strong construction ensures reliability.

**Users include**

- Government
- Retail
- Finance
- Telecommunications
- Information Technology
- Banking
- Publishing
- Leisure
- Petrochemical
- Education



**Power Supply:** 115/230V AC 50/60Hz

**Power Rating:** N/C - stand by or passage use 50VA, alarm condition 50VA  
(Per Walkway) N/O - stand by or passage use 5VA, alarm condition 50VA

**Logic Voltage:** 24V DC

**Delivery Details:** The TriStile R range is delivered fully assembled and may require lifting gear for off loading.

Weight TriStile RE 75Kg

## Models Available

### TriStile Electrical Tripod Turnstile

- Model RE Single Walkway – electrically controlled in one or both directions
- Model RDE Double Walkway – each side electrically controlled in one or both directions.
- Model RDUM Dummy casework to house card reader or create walkway

## Standard Accessories and Optional Extras

**Alternative Materials, Finishes and Custom Design** (Please contact Gunnebo Mayor for suitability and costs)

- Casework available in other materials

**Cardreader Mounting** (Please refer to Gunnebo Mayor for feasibility)

- Integration of customer supplied readers into the lid
- Cardreader Pedestals

### Additional Interface

- Serial port RS485

### Status Lights

- 50mm dia. LED display Status Lights flush mounted within the turnstile lid top face. The Green badge symbol is continuously illuminated indicating passage is available. Upon authorisation a Green arrow will illuminate in the direction of passage authorisation whilst in the opposite direction a Red cross symbol will illuminate to indicate the unit is not available for use or is all ready in use.

### Push Button Control

- Simple remote Push Button Console
- Remote console to specific requirements
- Single pushbutton casework or lid mounted

### Usage Counters

- Electro-mechanical, re-settable or non-re-settable counters inside tripod OR visible through cutout in casework

### Drop Arm

- In the event of an emergency or isolation of the power supply the horizontal tripod arm will drop automatically to create a clear walkway for escape. Input facility is available for potential free contact supplied by others to effect the fail state. As standard the drop arm is supplied as a bi directional fail lock mechanism.

### Mechanical Operation

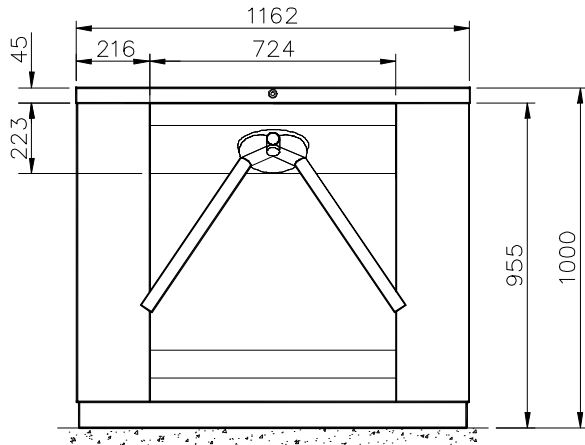
- Non-electrical unit allowing free movement in one direction – reverse direction locked

## Installation Examples

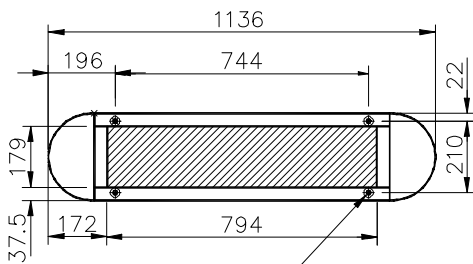
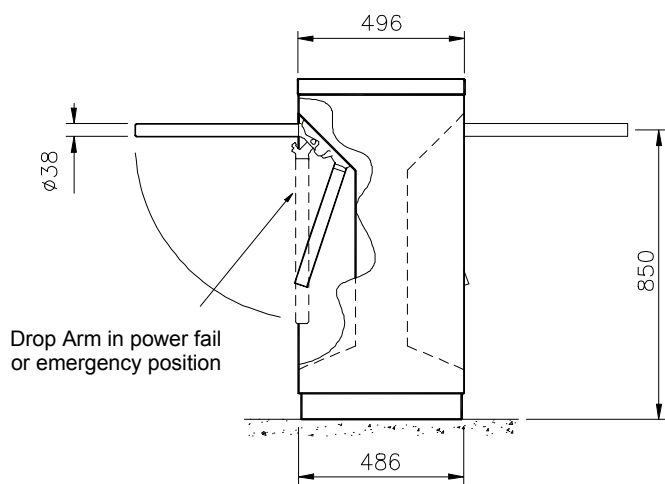
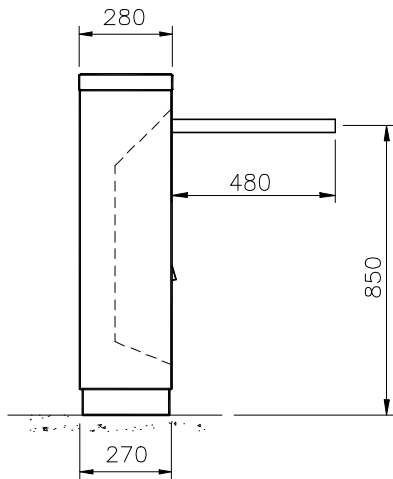
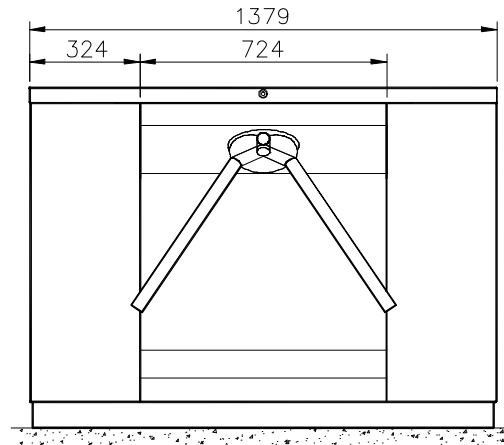


**Site Preparation TriStile R Range**

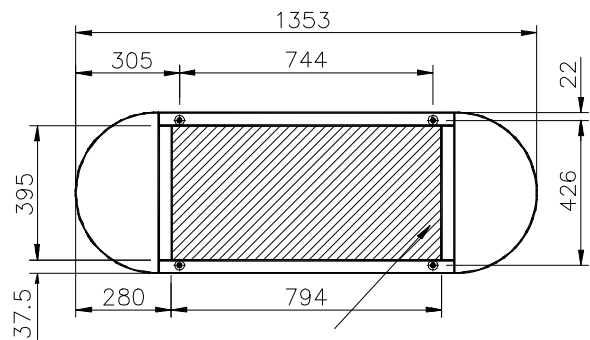
**TriStile RE**



**TriStile RDE**



Floor anchor position, drill 12mm dia x 100 deep min. (drilled during installation)



Conduits and cables to rise within shaded area

Concrete to BS 5328: 1997 specification, type ST5.  
 Base to be flat and level to +/-5mm over footprint area.  
 RE - 1200 x 500 x 150mm min  
 RDE - 1200 x 600 x 150mm min

**IMPORTANT**

- Any horizontal pipe or conduit runs below the TriStile must be at least 140mm below FFL.

**Flow Rates**

Reader Device	Number per minute
Insertion type	20
Insertion type with PIN code keypad	10
Swipe type	30
Swipe type with PIN code keypad	12
Proximity 'Hands Free'	40

- Please note the figures are approximate and must be confirmed with Gunnebo Mayor Ltd. Figures quoted are for one person per complete passage per walkway and per minute. It is assumed the access control authorisation response is instantaneous. Flow rates will increase with multiple passage use.



**GUNNEBO MAYOR**  
ENTRANCE CONTROL SOLUTIONS

**United Kingdom**

Gunnebo Mayor Ltd. Bellbrook Business Park, Uckfield, East Sussex, TN22 1QQ.  
Tel +44 (0) 1825 761022 Fax +44 (0) 1825 763835

Gunnebo Mayor Ltd. Orient House, Newton Street, Hyde, Cheshire, SK14 4RX  
Tel +44 (0) 161 882 5900 Fax +44 (0) 161 882 5910

[www.gunnebo mayor.com](http://www.gunnebo mayor.com)

*Note: In pursuit of its policy of continuous refinement and improvement, Gunnebo Mayor Ltd. reserves the right to modify design and details.*

**A COMPANY WITHIN THE GUNNEBO GROUP.....**

**HEAD OFFICE SWEDEN – Gunnebo Entrance Control AB, SE-590 93, Gunnebo.**  
Tel +46 (0) 490 89000, Fax +46 (0) 490 23889

**DENMARK** Gunnebo Protection A/S  
Division Entrance Control  
Erhvervsparken 3, DK-4621 Gadstrup  
Tel +45 46 19 14 66  
Fax +45 46 19 14 55

**FRANCE** Gunnebo Entrance Control SARL  
Zone d'Activites Le Mandinet,  
20 Rue des Campanules  
F-77185, Lognes  
Tel +33 (0) 1 64 80 14 40  
Fax +33 (0) 1 64 80 14 39

**GERMANY** Gunnebo Entrance Control GmbH  
Diagonalstrasse 41, D-20537  
Hamburg  
Tel +49 (0) 40 47 11 30 0  
Fax +49 (0) 40 47 11 30 79

**HONG KONG** Gunnebo Entrance Control  
Room 2312, C.C. Wu Building,  
302-308 Hennessy Road, Wanchai.  
Tel +852 2882 8337  
Fax +852 2523 7880

**ITALY** Gunnebo Italdis SpA  
Via A Volta 15 - IT 38015  
Lavis (TN)  
Tel +39 0461 248 900  
Fax +39 0461 248 999

**NORWAY** Gunnebo Troax A/S  
Division Entrance Control  
Postboks 179, Kalbakken N-0903, Oslo  
Tel +47 22 80 42 00  
Fax +47 22 80 42 01

**SPAIN** Gunnebo Entrance Control  
BBC, Comte d'Urgel 143, lola 08036,  
Barcelona  
Tel +34 93 452 59 56  
Fax +34 93 451 56 53

**SWEDEN** Gunnebo Entrance Control  
Box 500, Kumla Gardsvag 33F, 145 63  
Norsborg  
Tel +46 (0) 8 53 17 15 75  
Fax +46 (0) 8 53 18 85 39

**UNITED KINGDOM** Gunnebo Mayor Ltd  
Bellbrook Business Park, Uckfield,  
East Sussex, TN22 1QQ  
Tel +44 (0) 1825 761022  
Fax +44 (0) 1825 763835

**USA** Gunnebo Omega Inc  
5056 Commercial Circle, Suite E,  
Concord, California, CA 94520  
Tel +01 925 609 6339  
Fax +01 925 603 0810